



Product Specifications

3.3-Gallon Square Container with F-Gasket EZ Cover®

Multiple Uses

Dry Products
Liquid Products

Product Codes

Container: **S337**
Description: 3.3-gallon square can

Cover: **STMZ**

Description: Tamper-evident, square EZ Cover® with Ring Pull® and f-gasket

Features

Built in hand grips
Gauge: 65 mil.
Nominal capacity: 3.3 USG / 12.5 L
Stack performance: 175 lbs.*
Tare weights: Body: 1.10 lbs. / .50 kgs.
Cover: .38 lbs. / .18 kgs.

Note: *Ratings will be reduced with uneven load distribution.

Specifications with Cover

Dimensions: 9-15/16" X 9-15/16" X 11-3/16"H
Maximum capacity: 3.35 USG / 12.7 L
Tare weight: 1.48 lbs. / .68 kgs.

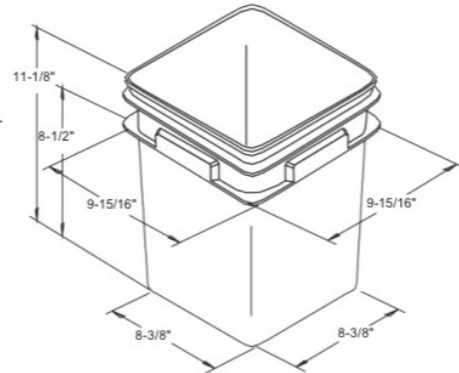
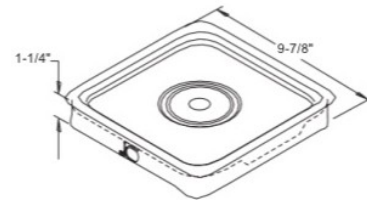
Colors

Standard: White, Black, Natural and Clear
Custom: Available at manufacturer's discretion

Decorating Options

Silk - Screening: 5"W X 6-1/4"H
Four or six* color offset printing
Print area: 5"W X 6-3/4"H on each panel
Sleeve or pressure sensitive labeling

Note: *Where available



Shipping Data

Qty. per pallet:
Gross Weight (lbs./kgs.)**:
Den. (lbs./C.F./kgs./m3):
Length (in./cm.):
Width (in./cm.):
Height (in./cm.):

Bodies

240
264/120
4.9/79
50.5/128.3
41.5/105.4
44.2/112.3

Covers

2,304 (24 boxes of 96)*
875/414
7.8/130.3
50.5/128.3
40/101.6
96/243.8

Filled Containers

60 (20 per layer / 3 layers high)
Pallet height: 38.06"

Estimated truckload quantity of 11,040 bodies and covers***

Notes: *Bulk pack also available
**Weight does not include pallet/packaging
***Truckload quantity based on 53' trailer

Materials

FDA approved materials
Resin: Body: High-Density Polyethylene (HDPE)
or Clear Polypropylene (PP)
Cover: High-Density Polyethylene (HDPE)
Polyurethane Foam Gasket
MSDS Sheets available upon request

Optional Carrying Handle